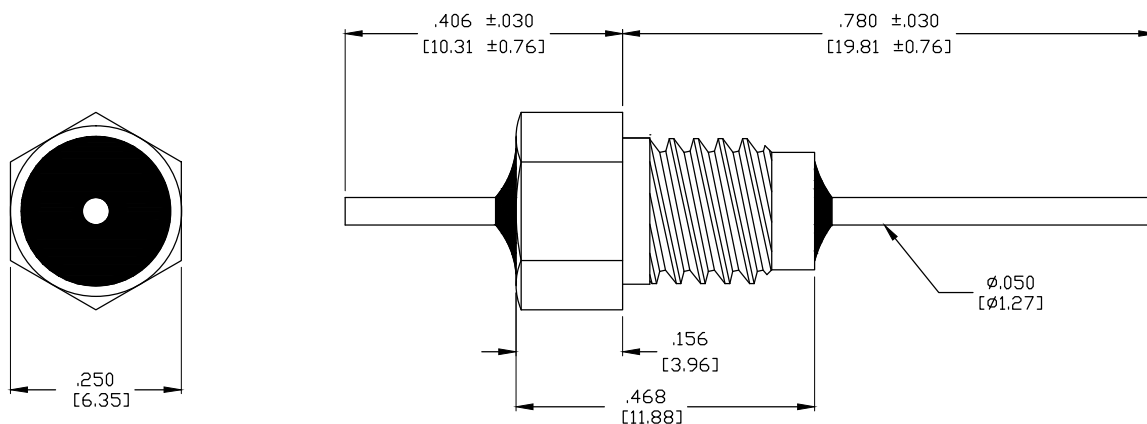


FT10-05-103Z/C FEEDTHRU CAPACITOR



#12-28 UNF-2A THREAD
[X.XX = MILLIMETERS]

Materials:

Case: Silver Plated per QQ-S-365A.

Lead: Silver Plated per QQ-S-365A.

Epoxy Sealed, Both Ends.

Mounting Torque: 8.0 in-lbs Max.

Maximum Soldering Temperature: 260°C

Operating Temperature: -55°C to +85°C.

Insulation Resistance @ 25°C: 10GΩ Min.

Dissipation Factor: 5% Max.

Max. Current: 15 Amps DC.

CAPACITANCE	TOLERANCE	WVDC	DWV	TYPICAL NO LOAD INSERTION LOSS (dB) @ 25°C PER MIL-STD-220			
				1 MHz	10 MHz	100 MHz	1 GHz
10,000 pF	-20%, +80%	500	1000	5	20	35	50

CALL OUR SALES DEPARTMENT FOR MORE INFORMATION OR VARIATIONS OF THIS PRODUCT.

Corry Micronics, Inc. One Plastics Rd. - Corry, PA 16407
(814) 664-7728 Fax (814) 664-4582 www.cormic.com

Corry Micronics Inc, herein referred to as CMI, believes this information to be accurate, but makes no warranties, expressed or implied, as to the accuracy of this document. CMI assumes no liability for any injury, loss, damage, direct or consequential, arising from the use of our products. User assumes all risk whatsoever, in connection with it's intended use. CMI also reserves the right to change this document without notice.