



CORRY MICRONICS, INC PRODUCT SPECIFICATION

CMIINV-5BT2-RM

Band 1/Band 2/Band 5/Band 13/Band 17 Receive Module

| Electrical Specifications | | Band 1 (LTE2100) |
|-------------------------------------|--|---|
| Frequency Range Band 1 Down-link | | 2110 to 2170 MHz |
| Frequency Range Band 1 Up-Link | | 1920 to 1980 MHz |
| Band 1 Up-Link/Down-Link Isolation | | 50dB min |
| Band 1 Rejection | | 50dB min DC – 1880 MHz, 2300 – 3000 MHz |
| | | Band 2 (PCS-1900) |
| Frequency Range Band 2 Down-link | | 1930 to 1990 MHz |
| Frequency Range Band 2 Up-Link | | 1850 to 1910 MHz |
| Band 2 Up-Link/Down-Link Isolation | | 50dB min |
| Band 2 Rejection | | 50dB min DC – 1750 MHz, 2100 – 3000 MHz |
| | | Band 5 (GSM 850) |
| Frequency Range Band 5 Down-link | | 869-894 MHz |
| Frequency Range Band 5 Up-Link | | 824-849 MHz |
| Band 5 Up-Link/Down-Link Isolation | | 50dB min |
| Band 5 Rejection | | 50dB min DC – 724 MHz, 1000 - 3000MHz |
| | | Band 13 (Upper 700MHz) |
| Frequency Range Band 13 Down-link | | 746 to 756 MHz |
| Frequency Range Band 13 Up-Link | | 777 to 787 MHz |
| Band 13 Up-Link/Down-Link Isolation | | 50dB min |
| Band 13 Rejection | | 50dB min DC – 650 MHz, 900 - 3000MHz |
| | | Band 17 (lower 700MHz) |
| Frequency Range Band 17 Down-link | | 734 to 746 MHz |
| Frequency Range Band 17 Up-Link | | 704 to 716 MHz |
| Band 17 Up-Link/Down-Link Isolation | | 50dB min |
| Band 17 Rejection | | 50dB min DC – 600 MHz, 850 - 3000MHz |

CALL OUR SALES DEPARTMENT FOR MORE INFORMATION OR VARIATIONS OF THIS PRODUCT.

Corry Micronics, Inc. One Plastics Rd. - Corry, PA 16407

(724) 940-7556 ext. 138 Fax (724) 940-7707 www.cormic.com

Corry Micronics Inc. herein referred to CMI, believes this information to be accurate, but makes no warranties, expressed or implied as to the accuracy of this document. CMI assumes no liability for any injury, loss, damage, direct or consequential arising from the use of our products. User assumes all risk whatsoever in connection with its intended use. CMI also reserves the right to change this document without notice. 6/12/18



CORRY MICRONICS, INC PRODUCT SPECIFICATION

| Electrical Specifications Continued | |
|--|---|
| Insertion Loss, all bands (Antenna to RX port) | -13dB max (LNA Bypass Mode) +19dB min (LNA Enable Mode) |
| LNA Noise Figure | 0.7 dB typ. |
| Return Loss | 10 dB min |
| RF Input Power | +30dBm Max In-Band RF Power at Ant (LNA Disabled) +40Bm Max Out-of-Band RF Power at Ant -30dBm LTE/UMTS Signal (LNA Enabled) +30dBm No Damage (LNA Enabled) |
| RF Input / Output Connectors | SMA-Female |
| Impedance | 50 Ω |
| DC Input Power | 12 Volts +/-10% 300mA max |
| Switching and Bypass Control | RS-422 |
| DC Power and Control Connector | 25 Pin Female D-SUB Connector |
| Operating Temperature | -20° C to +50° C |
| Dimensions | 276.5 mm x 216 mm x 84 mm |

CALL OUR SALES DEPARTMENT FOR MORE INFORMATION OR VARIATIONS OF THIS PRODUCT.

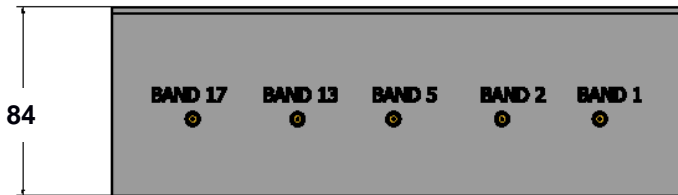
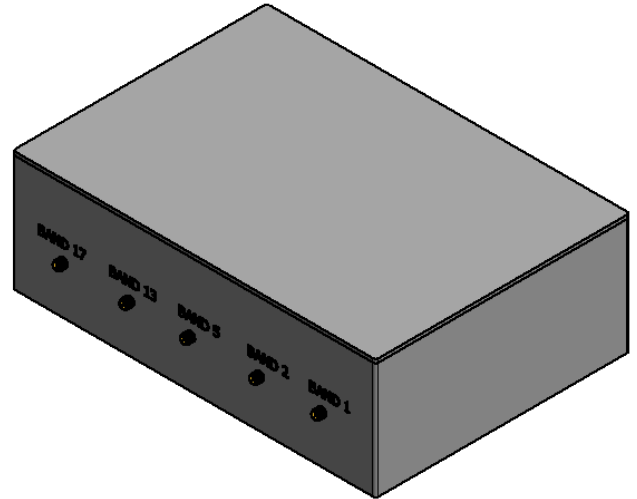
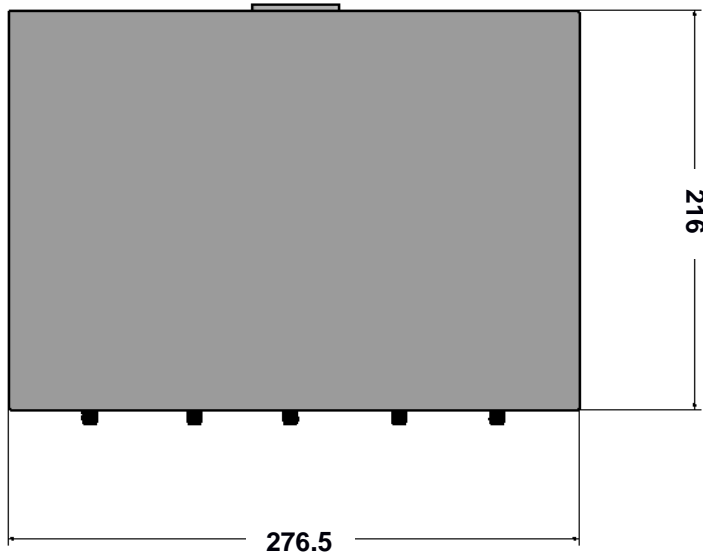
Corry Micronics, Inc. One Plastics Rd. - Corry, PA 16407
(724) 940-7556 ext. 138 Fax (724) 940-7707 www.cormic.com

Corry Micronics Inc. herein referred to CMI, believes this information to be accurate, but makes no warranties, expressed or implied as to the accuracy of this document. CMI assumes no liability for any injury, loss, damage, direct or consequential arising from the use of our products. User assumes all risk whatsoever in connection with its intended use. CMI also reserves the right to change this document without notice. 6/12/18



CORRY MICRONICS, INC PRODUCT SPECIFICATION

Overall Dimensions



Note: All dimensions are in mm

CALL OUR SALES DEPARTMENT FOR MORE INFORMATION OR VARIATIONS OF THIS PRODUCT.

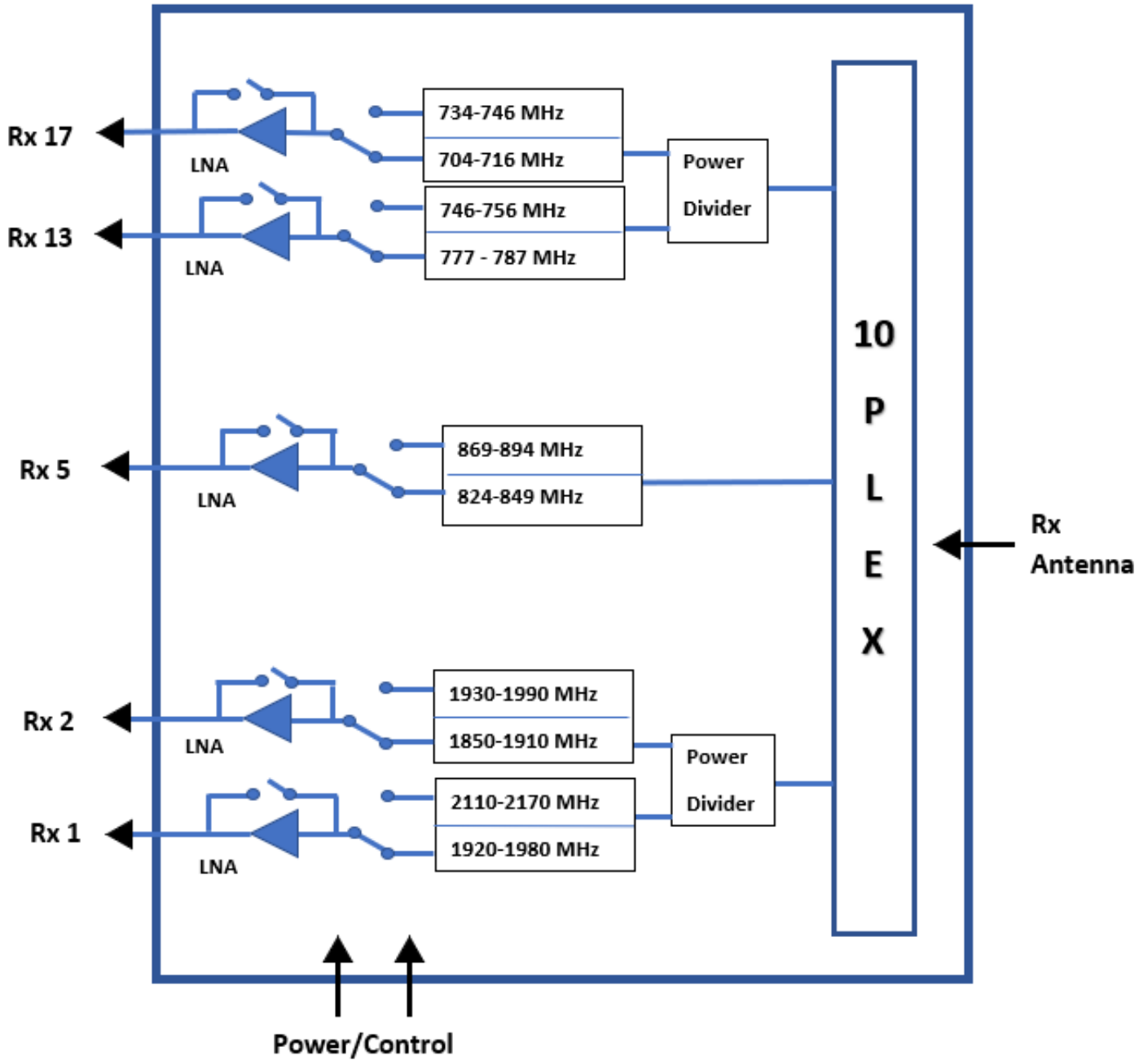
**Corry Micronics, Inc. One Plastics Rd. - Corry, PA 16407
(724) 940-7556 ext. 138 Fax (724) 940-7707 www.cormic.com**

Corry Micronics Inc. herein referred to CMI, believes this information to be accurate, but makes no warranties, expressed or implied as to the accuracy of this document. CMI assumes no liability for any injury, loss, damage, direct or consequential arising from the use of our products. User assumes all risk whatsoever in connection with its intended use. CMI also reserves the right to change this document without notice. 6/12/18



CORRY MICRONICS, INC PRODUCT SPECIFICATION

Block Diagram



CALL OUR SALES DEPARTMENT FOR MORE INFORMATION OR VARIATIONS OF THIS PRODUCT.

Corry Micronics, Inc. One Plastics Rd. - Corry, PA 16407

(724) 940-7556 ext. 138 Fax (724) 940-7707 www.cormic.com

Corry Micronics Inc. herein referred to CMI, believes this information to be accurate, but makes no warranties, expressed or implied as to the accuracy of this document. CMI assumes no liability for any injury, loss, damage, direct or consequential arising from the use of our products. User assumes all risk whatsoever in connection with its intended use. CMI also reserves the right to change this document without notice. 6/12/18



CORRY MICRONICS, INC PRODUCT SPECIFICATION

Connector Pin Out

| Pin # | Function |
|-------|------------------------------|
| 1, 2 | +12VDC Power |
| 3, 4 | Power Return |
| 5 | Band 1 Tx/Rx Select + |
| 6 | Band 1 Tx/Rx Select - |
| 7 | Band 1 LNA Bypass Control + |
| 8 | Band 1 LNA Bypass Control - |
| 9 | Band 2 Tx/Rx Select + |
| 10 | Band 2 Tx/Rx Select - |
| 11 | Band 2 LNA Bypass Control + |
| 12 | Band 2 LNA Bypass Control - |
| 13 | Band 5 Tx/Rx Select + |
| 14 | Band 5 Tx/Rx Select - |
| 15 | Band 5 LNA Bypass Control + |
| 16 | Band 5 LNA Bypass Control - |
| 17 | Band 13 Tx/Rx Select + |
| 18 | Band 13 Tx/Rx Select - |
| 19 | Band 13 LNA Bypass Control + |
| 20 | Band 13 LNA Bypass Control - |
| 21 | Band 17 Tx/Rx Select + |
| 22 | Band 17 Tx/Rx Select - |
| 23 | Band 17 LNA Bypass Control + |
| 24 | Band 17 LNA Bypass Control - |
| 25 | No Connect |

CALL OUR SALES DEPARTMENT FOR MORE INFORMATION OR VARIATIONS OF THIS PRODUCT.

Corry Micronics, Inc. One Plastics Rd. - Corry, PA 16407

(724) 940-7556 ext. 138 Fax (724) 940-7707 www.cormic.com

Corry Micronics Inc. herein referred to CMI, believes this information to be accurate, but makes no warranties, expressed or implied as to the accuracy of this document. CMI assumes no liability for any injury, loss, damage, direct or consequential arising from the use of our products. User assumes all risk whatsoever in connection with its intended use. CMI also reserves the right to change this document without notice. 6/12/18



CORRY MICRONICS, INC PRODUCT SPECIFICATION

Truth Tables

| UL/DL Select + | UL/DL Select - | State |
|----------------|----------------|------------------------------|
| 1 | 0 | DL Band Connected to Antenna |
| 0 | 1 | UL Band Connected to Antenna |

| LNA Bypass Control + | LNA Bypass Control - | State |
|----------------------|----------------------|--------------|
| 1 | 0 | LNA Bypassed |
| 0 | 1 | LNA Enabled |

Controls for Band s 1, 2, 5, 13 and 17 are identical

CALL OUR SALES DEPARTMENT FOR MORE INFORMATION OR VARIATIONS OF THIS PRODUCT.

Corry Micronics, Inc. One Plastics Rd. - Corry, PA 16407
(724) 940-7556 ext. 138 Fax (724) 940-7707 www.cormic.com

Corry Micronics Inc. herein referred to CMI, believes this information to be accurate, but makes no warranties, expressed or implied as to the accuracy of this document. CMI assumes no liability for any injury, loss, damage, direct or consequential arising from the use of our products. User assumes all risk whatsoever in connection with its intended use. CMI also reserves the right to change this document without notice. 6/12/18