

CMTRSW-1G1R1G-2K5
HIGH POWER TRANSMIT RECEIVE SWITCH

CMTRSW-1G1R1G-2K5 is a high power transmit / receive switch that operates from 1 GHz to 1.1 GHz. The module handles peak input power levels of 2.5 kW with a maximum pulse width of 17 uS and duty cycle of 2%.

Electrical Specifications

Frequency Range	1-1.1 GHz
Power	2.5 kW Peak (J1 Only)
Pulse Width	17 uS Maximum
Duty Cycle	2% Maximum
PRF	600 Hz
Insertion Loss	0.8 dB Typ, 1 dB Max (J1 to J2) 0.8 dB Typ, 1 dB Max (J1 to J3) 0.8 dB Typ, 1 dB Max (J2 to J4) 0.8 dB Typ, 1 dB Max (J3 to J5)
Isolation	40 dB Min (J2 to J3) 60 dB Min (J2 to J4) 60 dB Min (J3 to J5)
Switching Rate	2 kHz
Switching Time	275 nS Typ (50% TTL to 10% RF to 90% RF)
Power Supply	+50 V @60 mA, +5 V @ 400 mA
RF Connector	SMA Female
Power/Control Interface Connector	9 Pin Micro D-Sub Male
Hot Switching*	No
Cold Switching	Yes
Source and Load Terminations	Better than 1.5:1 VSWR

*** Hot Switching will cause damage, Cold Switching only**

Mechanical / Environmental Specifications

CALL OUR SALES DEPARTMENT FOR MORE INFORMATION OR VARIATIONS OF THIS PRODUCT.

Corry Micronics, Inc. One Plastics Rd. - Corry, PA 16407

(724) 940-7556 ext. 138 Fax (724) 940-7707 www.cormic.com

Corry Micronics Inc. herein referred to CMI, believes this information to be accurate, but makes no warranties, expressed or implied as to the accuracy of this document. CMI assumes no liability for any injury, loss, damage, direct or consequential arising from the use of our products. User assumes all risk whatsoever in connection with it's intended use. CMI also reserves the right to change this document without notice. 12/14/16

PRODUCT SPECIFICATION

Housing Material	Aluminum
Finish	Blue Epoxy Polyimide Coating, No Paint on Mounting Surface
Sealing	Hermetic
Dimensions	7.75x 3.00 x 0.575 Inches
Temperature (Base Plate)	Operating: -45C to +85C Storage: -54C to +125C

Logic Tables

TTL Level	State
Low	J1 to J2, Isolation to J3
High	J1 to J3, Isolation to J2

CNTL1 Logic Table

TTL Level	State
Low**	Receive Mode J2 to J4, Isolation to J1 J3 to J5, Isolation to J1
High	Transmit Mode J2 or J3 to J1 Isolation to J4 and J5

CNTL2 Logic Table

****When in receive mode no high power to be present at J1**

Interface Connector Pin Out

CALL OUR SALES DEPARTMENT FOR MORE INFORMATION OR VARIATIONS OF THIS PRODUCT.

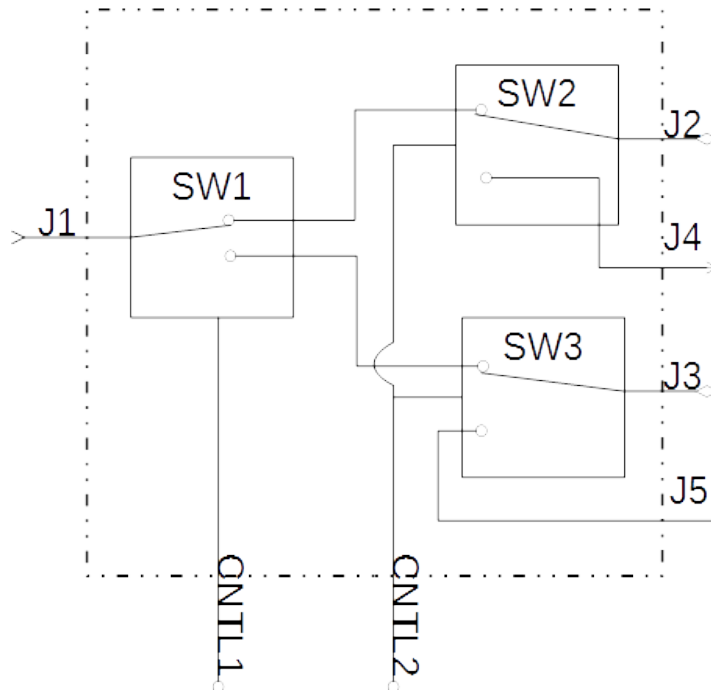
Corry Micronics, Inc. One Plastics Rd. - Corry, PA 16407

(724) 940-7556 ext. 138 Fax (724) 940-7707 www.cormic.com

Corry Micronics Inc. herein referred to CMI, believes this information to be accurate, but makes no warranties, expressed or implied as to the accuracy of this document. CMI assumes no liability for any injury, loss, damage, direct or consequential arising from the use of our products. User assumes all risk whatsoever in connection with it's intended use. CMI also reserves the right to change this document without notice. 12/14/16

Pin #	Function
1	+50 VDC
2	Ground
3	No Connect
4	+5 VDC
5	Ground
6	CNTL1
7	No Connect
8	No Connect
9	CNTL2

Functional Block Diagram



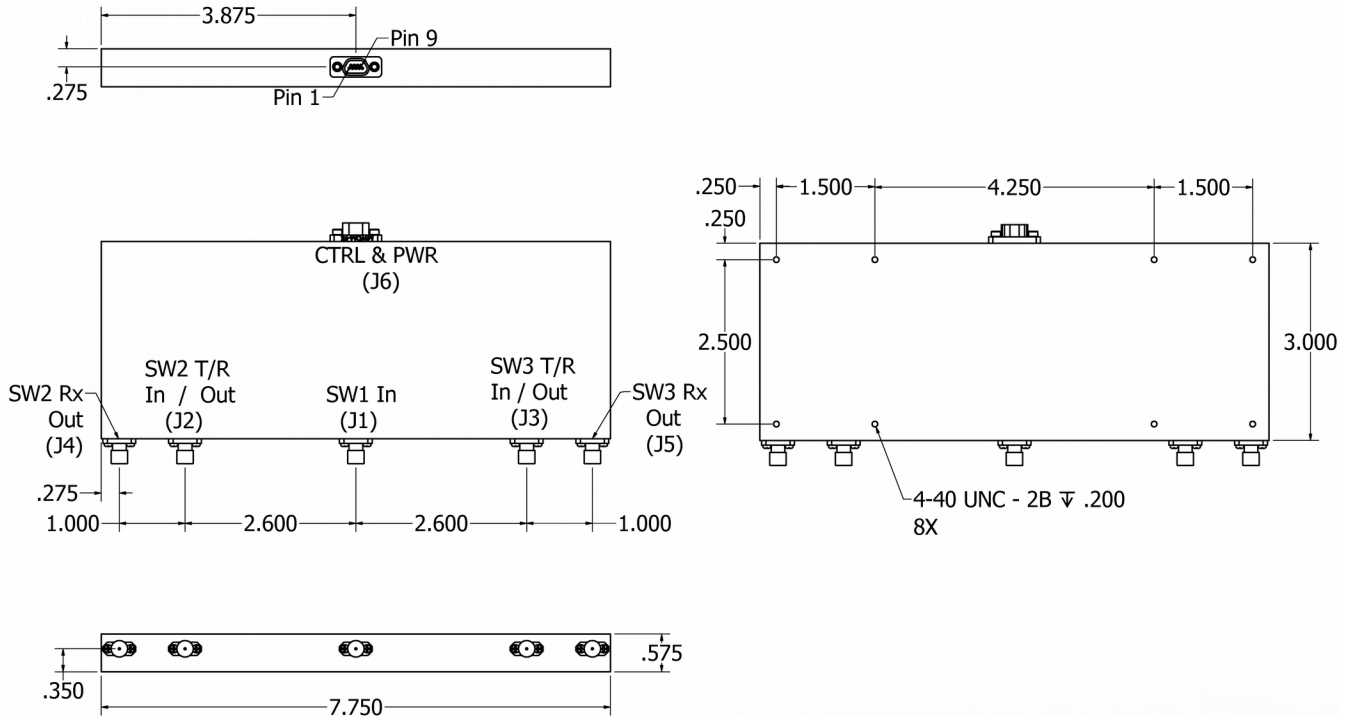
CALL OUR SALES DEPARTMENT FOR MORE INFORMATION OR VARIATIONS OF THIS PRODUCT.

Corry Micronics, Inc. One Plastics Rd. - Corry, PA 16407

(724) 940-7556 ext. 138 Fax (724) 940-7707 www.cormic.com

Corry Micronics Inc. herein referred to CMI, believes this information to be accurate, but makes no warranties, expressed or implied as to the accuracy of this document. CMI assumes no liability for any injury, loss, damage, direct or consequential arising from the use of our products. User assumes all risk whatsoever in connection with it's intended use. CMI also reserves the right to change this document without notice. 12/14/16

Mechanical Drawing



All Dimensions in Inches

CALL OUR SALES DEPARTMENT FOR MORE INFORMATION OR VARIATIONS OF THIS PRODUCT.

Corry Micronics, Inc. One Plastics Rd. - Corry, PA 16407

(724) 940-7556 ext. 138 Fax (724) 940-7707 www.cormic.com

Corry Micronics Inc. herein referred to CMI, believes this information to be accurate, but makes no warranties, expressed or implied as to the accuracy of this document. CMI assumes no liability for any injury, loss, damage, direct or consequential arising from the use of our products. User assumes all risk whatsoever in connection with it's intended use. CMI also reserves the right to change this document without notice. 12/14/16