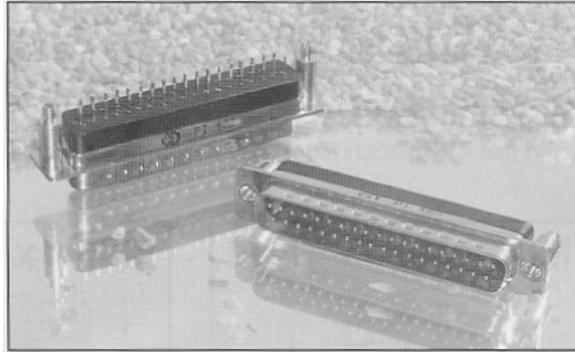
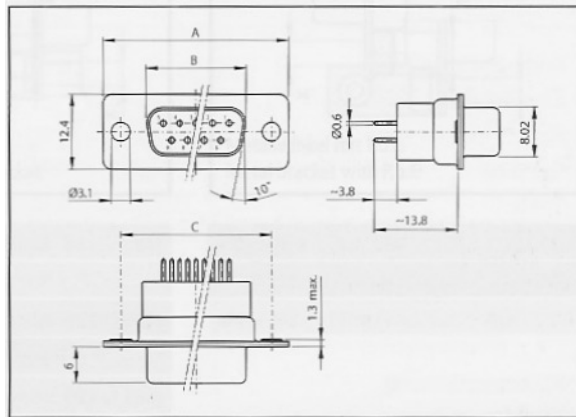


# CORRY Micronics

## Solder Pin Straight (Pi)



Socket connector



No. of pos.	A	B	C
09	30.80	16.46	25.00
15	39.20	24.79	33.30
25	53.10	38.50	47.00
37	69.50	54.96	63.50

No. of pos.	Chromated shell	Tinned shell
09		D-09 SY x PI yyy
15		D-15 SY x PI yyy
25		D-25 SY x PI yyy
37		D-37 SY x PI yyy

Replace the yyy with the appropriate filter code

Filtercode	Filter values	Filtercode	Filter values	Filtercode	Filter values	Filtercode	Filter values
101	100 pF	821	820 pF	172	1700 pF	502	5000 pF
471	470 pF	102	1000 pF	252	2500 pF		

To request gold class 1 or 2 quality, replace the x.