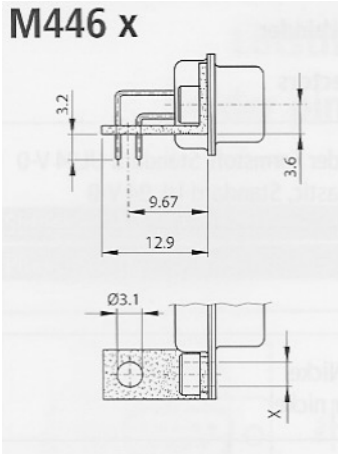


CORRY Micronics

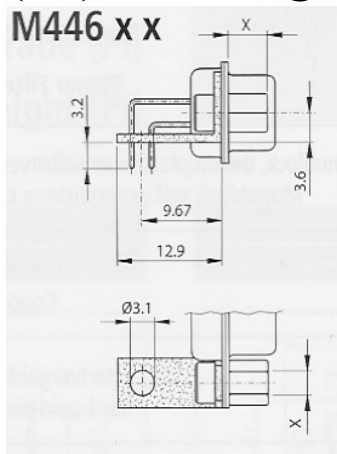
Assemblies (FP) Mounting Height 3.6 mm

M446 x



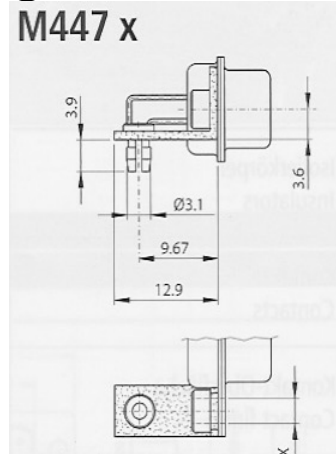
D3 Rivet 3.1 mm
UN Back Nut UNC4-40
M3 Back Nut M3

M446 x x



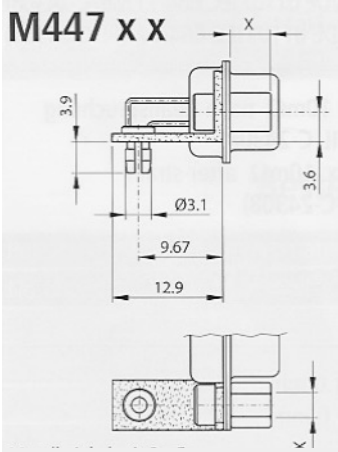
UN B5 Back Nut UNC4-40
Screw 5 mm
UN B6 Back Nut UNC4-40
Screw 6 mm
M3 B5 Back Nut M3
Screw 5 mm
M3 B6 Back Nut
Screw 6 mm

M447 x



D3 Rivet 3.1 mm
UN Back Nut UNC4-40
M3 Back Nut M3

M447 x x



UN B5 Back Nut UNC4-40
Screw 5 mm
UN B6 Back Nut UNC4-40
Screw 6 mm
M3 B5 Back Nut M3
Screw 5 mm
M3 B6 Back Nut
Screw 6 mm