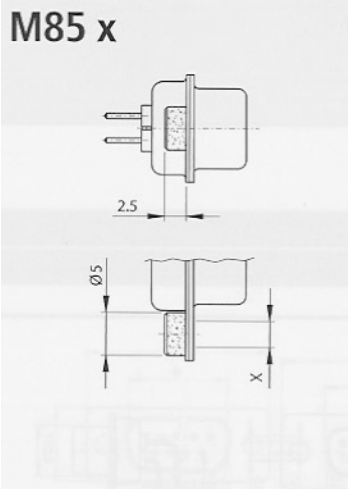
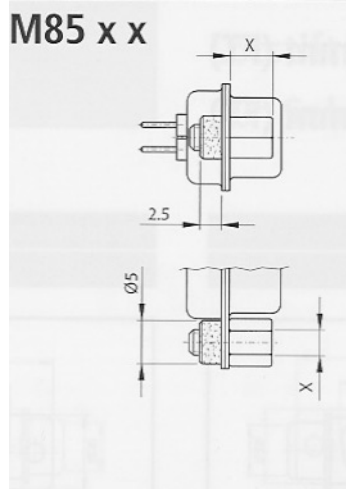


# CORRY Micronics

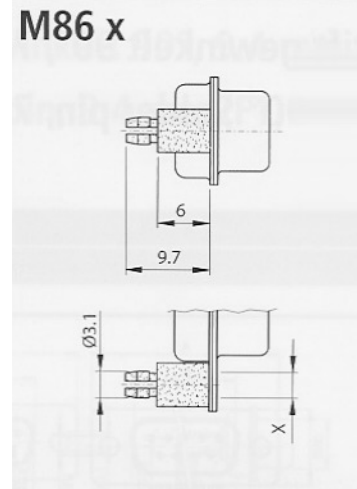
## Assemblies (FP)



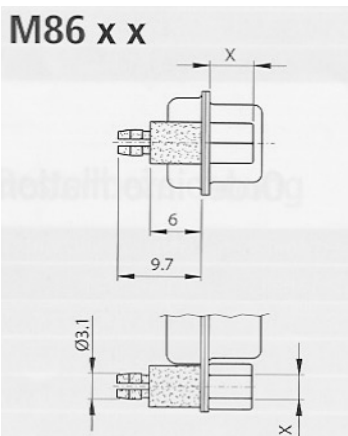
UN Back Nut UNC4-40  
M3 Back Nut M3



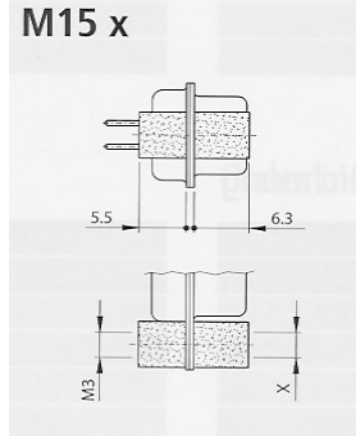
UN B5 Back Nut UNC4-40  
Screw 5 mm  
UN B6 Back Nut UNC4-40  
Screw 6 mm  
M3 B5 Back Nut M3  
Screw 5 mm  
M3 B6 Back Nut  
Screw 6 mm



UN Push-On UNC4-40  
M3 Push-On M3



UN B5 Push-On UNC4-40  
Screw 5 mm  
UN B6 Push-On UNC4-40  
Screw 6 mm  
M3 B5 Push-On M3  
Screw 5 mm  
M3 B6 Push-On UNC4-40  
Screw 6 mm



UN Bolt UNC4-40  
M3 Bolt M3