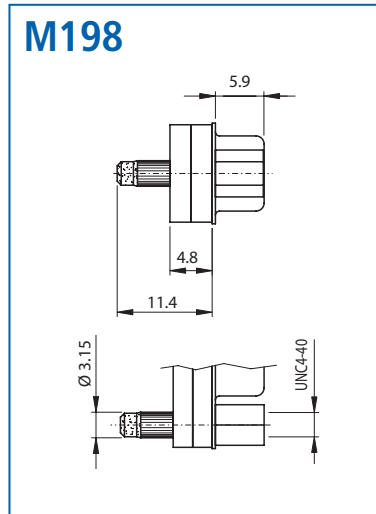
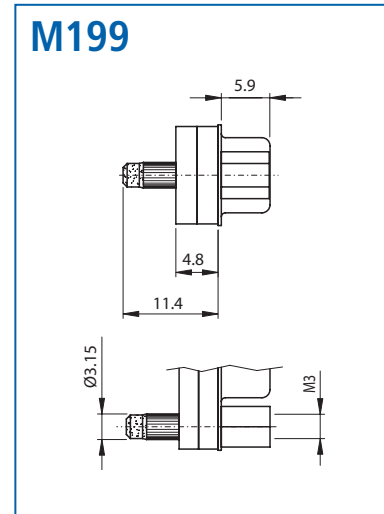




Montagearten Assemblies



M198 Schraube / screw UNC4-40



M199 Schraube / screw M3



D-Subminiatur Filter Einpresstechnik
D-Subminiature Filter Press-Fit Technology