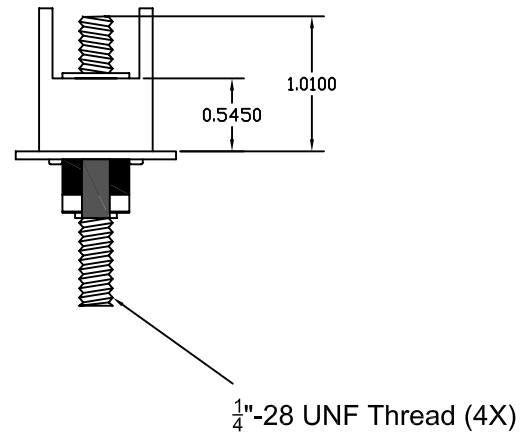
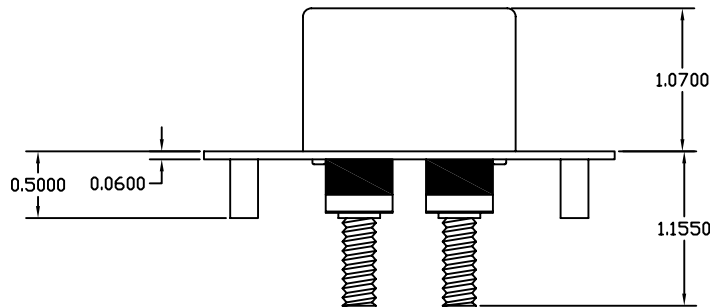
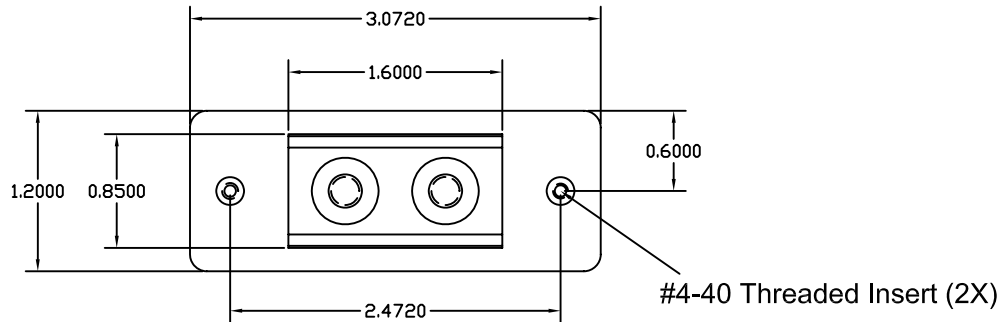


### F7036-0101C1.0 Hi Current, Dual Pole Terminal Block



#### Materials:

Lead: Tin/Lead plated Copper

Filters: Ceramic.

Block: Crastin SK655FR - UL 94 V0

Mounting Torque: 36.0 in-lbs Max.

Operating Temperature: -55°C to +105°C.

Insulation Resistance @ 25°C: 1000 MΩ Min.

Suitable Wire Range (Cu): #2 - #8 AWG.

Multiple Dual-Pole configurations available - Consult Factory.

PART NUMBER	RATED DC VOLTS (+25°C)	I (AMPS)	CIRCUIT	CAP (pF) (+100%, -0%)	TYPICAL NO LOAD INSERTION LOSS (dB) @ 25°C PER MIL-STD-220			
					10 MHz	100 MHz	1 GHz	10 GHz
F7036-0101C1.0	250	115	C	1500	7	27	35	35

**CALL OUR SALES DEPARTMENT FOR MORE INFORMATION OR VARIATIONS OF THIS PRODUCT.**

**Corry Micronics, Inc. One Plastics Rd. - Corry, PA 16407  
(724) 940-7556 (x138 or x136) Fax (724) 940-7707 www.cormic.com**

Corry Micronics Inc, herein referred to as CMI, believes this information to be accurate, but makes no warranties, expressed or implied, as to the accuracy of this document. CMI assumes no liability for any injury, loss, damage, direct or consequential, arising from the use of our products. User assumes all risk whatsoever, in connection with it's intended use. CMI also reserves the right to change this document without notice.