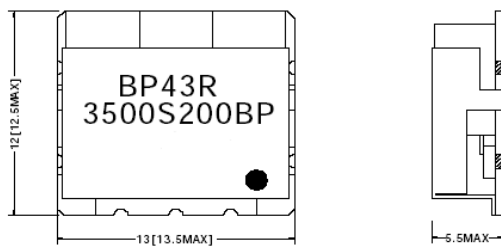


RF FILTER SPECIFICATION

Part No. BP43R3500S200BP

Electrical Specifications				
Item	Parameter	General Specification	CMI's Specification	Unit
1	Center Frequency [fo]	3500	3500	MHz
2	Pass Bandwidth [BW]	fo ± 100	fo ± 100	MHz
3	Insertion Loss in fo	1.0 max.	1.0 max.	dB
4	Ripple in BW	1.0 max.	1.0 max.	dB
5	V.S.W.R	1.5 max.	1.5 max.	-
6	In/Out Impedance	50	50	Ω
7	Attenuation [Absolute Value]	30 min. @ 1900 MHz	15 min. @ 1900 MHz	dB
		30 min. @ 2400 - 2600 MHz	10 min. @ 2400 - 2600 MHz	
		30 min. @ 3880 - 4150 MHz	30 min. @ 3880 - 4150 MHz	
		35 min. @ 4300 - 4600 MHz	30 min. @ 4300 - 4600 MHz	
		30 min. @ 5200 - 5800 MHz	Impossible @ 5200 - 5800 MHz	
8	Handling Power	1 Watt max.		-
9	Operating Temperature	-30°C - +85 °C		

TOP VIEW

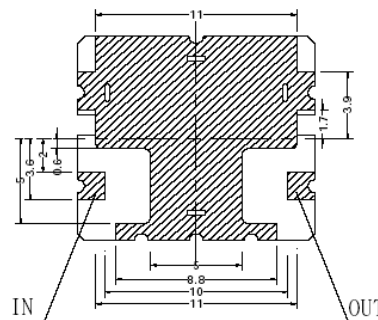


TOLERANCE : .X : ±0.3
: .XX : ±0.15

UNIT: mm

● INPUT PORT

BOTTOM VIEW



CALL OUR SALES DEPARTMENT FOR MORE INFORMATION OR VARIATIONS OF THIS PRODUCT.

Corry Micronics, Inc. One Plastics Rd. - Corry, PA 16407
(814) 664-7728 Fax (814) 664-4582 www.cormic.com

Corry Micronics Inc. herein referred to CMI, believes this information to be accurate, but makes no warranties, expressed or implied as to the accuracy of this document. CMI assumes no liability for any injury, loss, damage, direct or consequential arising from the use of our products. User assumes all risk whatsoever in connection with it's intended use. CMI also reserves the right to change this document without notice.