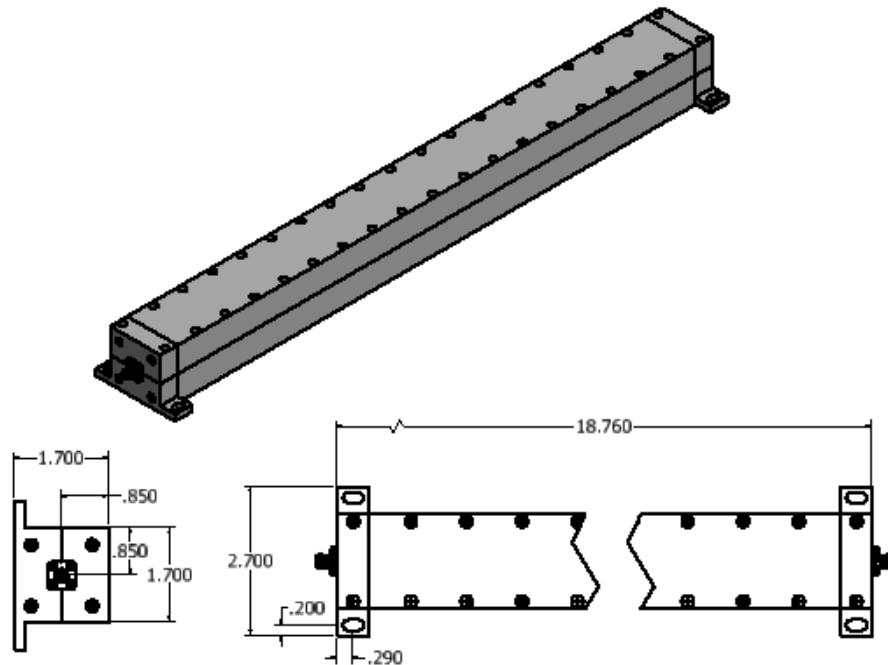


Product Specification

CMILPF-1990-80S Low Pass Filter

Pass Band Frequency	50 MHz – 1990 MHz
Pass Band Insertion Loss	1 dB Max
Pass Band VSWR	1.7:1 Max
Rejection	>80db @ 2140MHz – 3600MHz
Power Handling	50 W
Operating Temperature	-40°C to +85°C
Connectors	Stainless Steel SMA Female
Dimensions	2.7" X 1.7" X 18.76"
Pass Band Frequency	50 MHz – 1990 MHz
Pass Band Insertion Loss	1 dB Max
Pass Band VSWR	1.7:1 Max

All Dimensions in inches



CH1 S 21 log MAG 10 dB/ REF 0 dB L: -0.100 dB
 CH2 S 11 log MAG 5 dB/ REF 0 dB L: -24.405 dB

