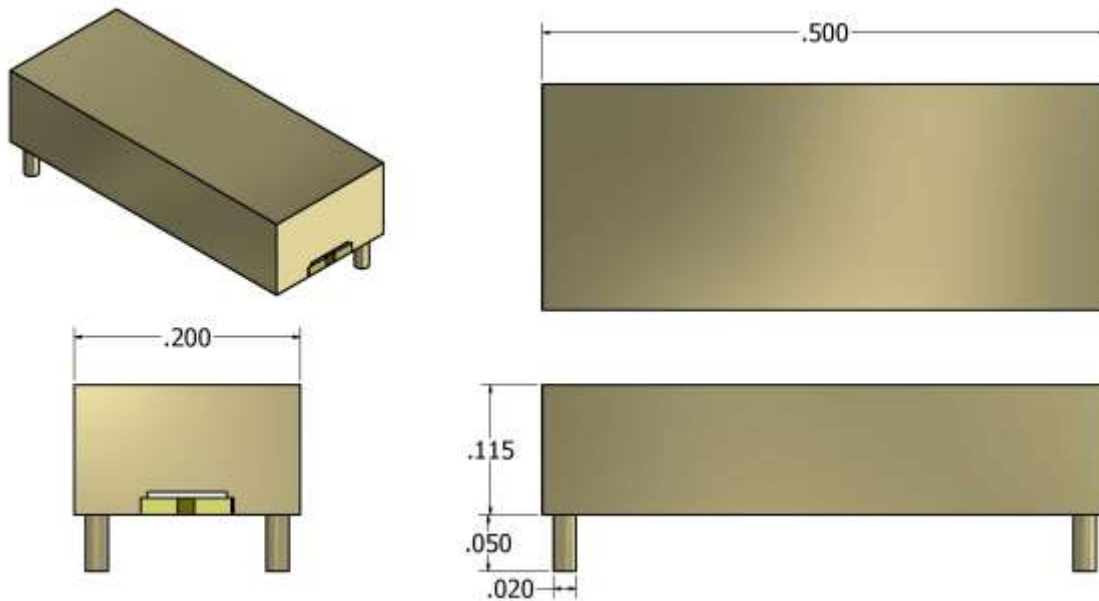


**CMIBPF-23G-2G  
BAND PASS FILTER**

Passband	22GHz - 24GHz
Rejection @ 7 GHz-10 GHz	60 dBc min
Rejection @ 10 GHz-15.5 GHz	50 dBc min
Rejection @ 27 GHz – 30 GHz	30 dBc min
Rejection @ 30 GHz – 33.7 GHz	55 dBc min
Pass Band Ripple	± 0.4 dB max
Insertion Loss	2.0 dB max
Passband Return Loss	15 dB min
Group Delay Ripple	+/-100psec max
Operating Temperature	-40°C to +85°C
Non-Operating Temperature	-90°C to +125°C
Humidity	5-95% non-condensing
Altitude	0-30000 meters, Relative to sea level
Recommended Mounting Method	EPO-TEK H31D Silver epoxy or similar (or Use of Standard SMT Solder)
Size	0.5in x 0.2in x 0.115in

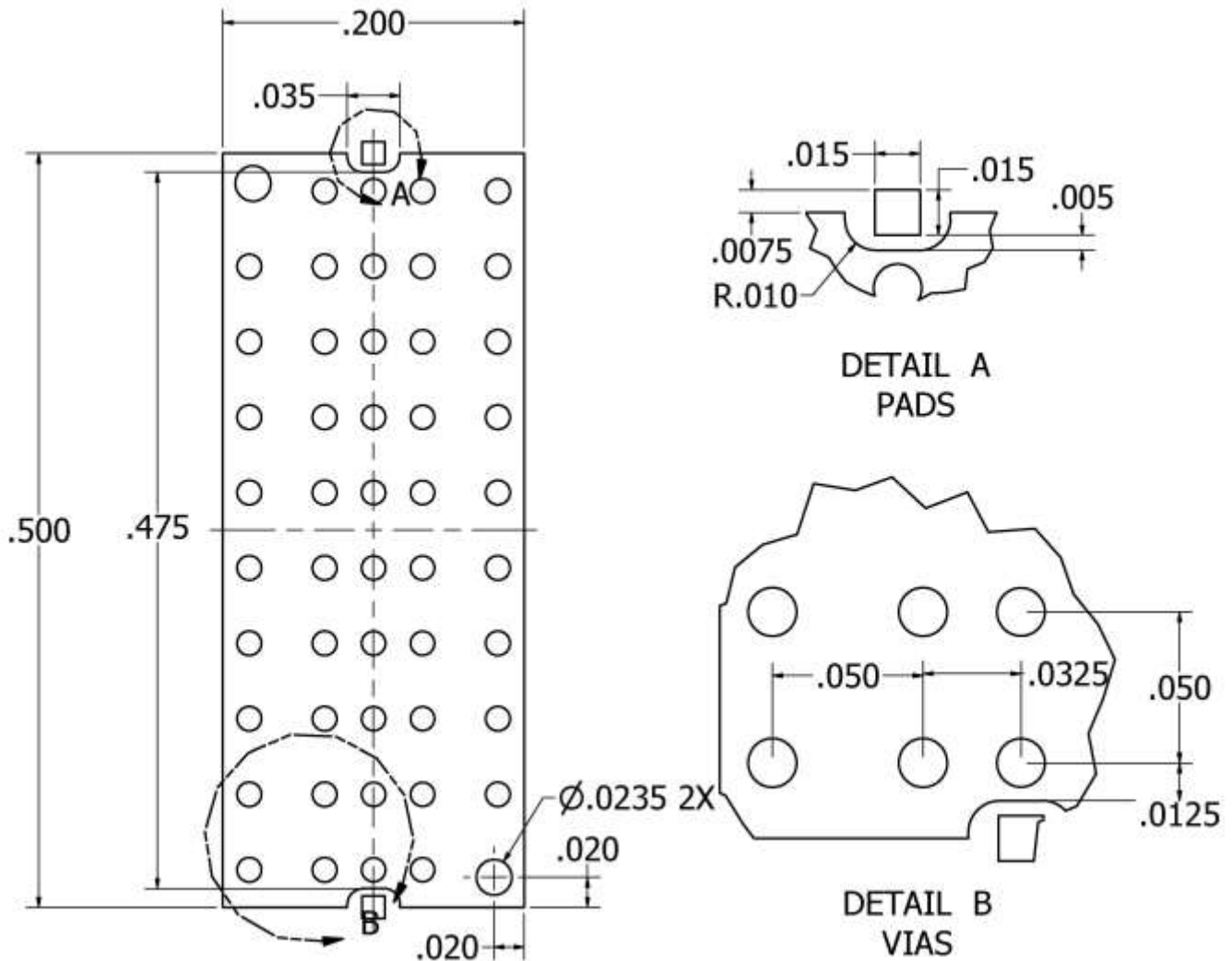


**ALL OUR SALES DEPARTMENT FOR MORE INFORMATION OR VARIATIONS OF THIS PRODUCT.**

**Corry Micronics, Inc. One Plastics Rd. - Corry, PA 16407**  
**(724) 940-7556 ext. 138 Fax (724) 940-7707 [www.cormic.com](http://www.cormic.com)**

Corry Micronics Inc. herein referred to CMI, believes this information to be accurate, but makes no warranties, expressed or implied as to the accuracy of this document. CMI assumes no liability for any injury, loss, damage, direct or consequential arising from the use of our products. User assumes all risk whatsoever in connection with it's intended use. CMI also reserves the right to change this document without notice. 3/16/17

**CMIBPF-23G-2G  
BAND PASS FILTER**



**LAND PATTERN RECOMMENDATION  
(EXPOSED COPPER)**

**CALL OUR SALES DEPARTMENT FOR MORE INFORMATION OR VARIATIONS OF THIS PRODUCT.**

**Corry Micronics, Inc. One Plastics Rd. - Corry, PA 16407**

**(724) 940-7556 ext. 138 Fax (724) 940-7707 [www.cormic.com](http://www.cormic.com)**

Corry Micronics Inc. herein referred to CMI, believes this information to be accurate, but makes no warranties, expressed or implied as to the accuracy of this document. CMI assumes no liability for any injury, loss, damage, direct or consequential arising from the use of our products. User assumes all risk whatsoever in connection with it's intended use. CMI also reserves the right to change this document without notice. 3/16/17